

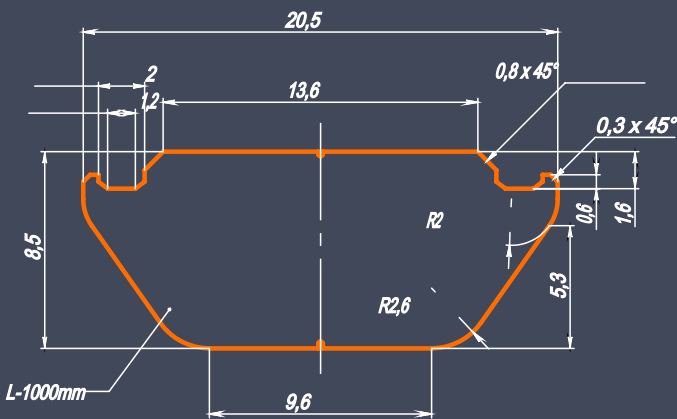


# ALUMINUM NUT ERK-AN-01

Aluminum nuts are made of good quality AL6005-T5 to keep anti-corrosive and good mechanical characteristics. The main application for solar sliding nuts is matched for the Hexagonal Socket head bolt; the internal thread size is M8. These fastener kits are designed for solar mid-clamps, solar end-clamps, and clips between alum rails and beams. Although solar t-slot nut is minor and easy for neglected, we are still pursuing all details perfect for these sliding nuts.

## PRODUCT FEATURES

Name	Aluminum nut
Material	High-grade aluminum alloy, corrosion resistant
Processing method	Extruded, Anodized
Max Wind Load	60 m/s
Max Snow Load	1.4 KN / M2
Color	Natural silver



- There are no oil stains, cracks, corrosion spots, delaminations, air bubbles on the surface of the details.
- The cross-section of the product does not have bends, twists, deformations or protrusions

