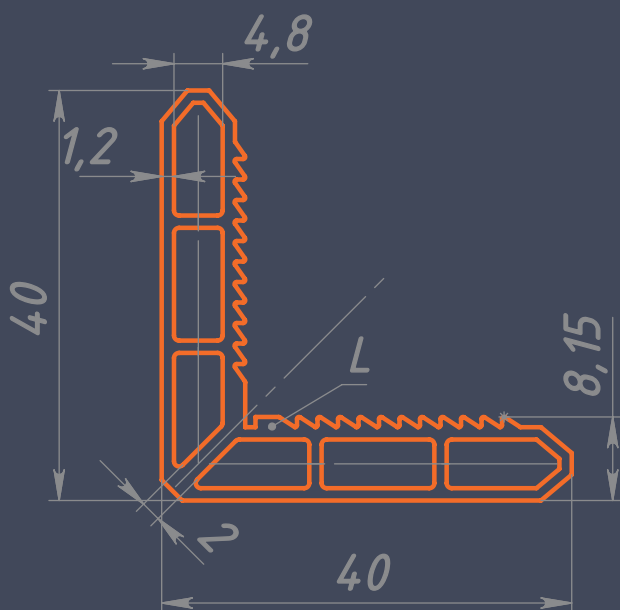


CORNER KEY FLA-CK-01

Designed for four-sided corner mounting of the frame that covers the solar panels, provides reliable frame strength, while remaining discreet.

Product features

Name	Corner key
Material	High grade aluminum alloy, corrosion resistant Al 6005-T5
Processing method	Extruded, Anodized,
Surface flatness	0,1
Color	Natural silver
Weight	26,93 (g)
Hardness	≥12 HV



- There are no oil stains, cracks, corrosion spots, delaminations, air bubbles on the surface of the profiles.
- The cross section of the product does not have bends, twists, deformations or protrusions

