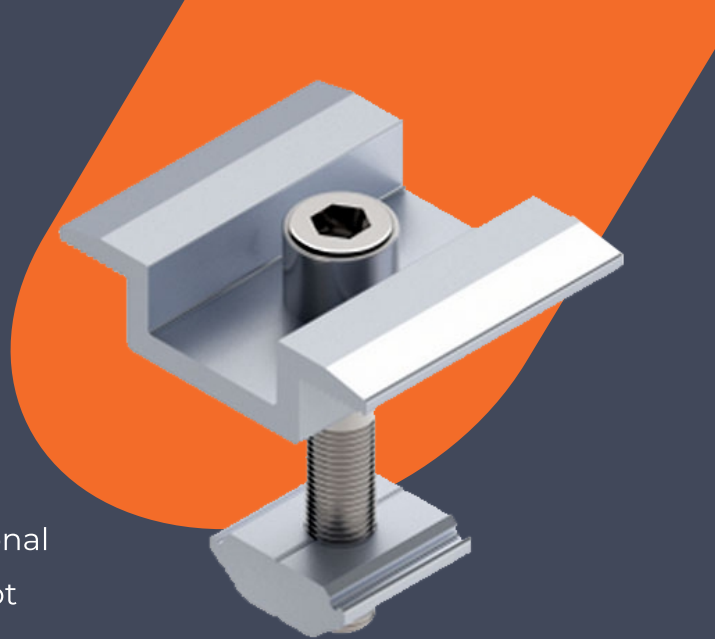


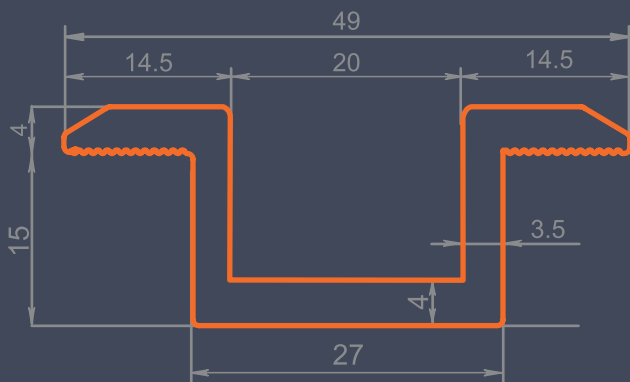
MID CLAMP MC-01

This fitting is an intermediate part. These center clamps mounting components are made of high quality anodized aluminum, meet with international standards. It stands out for its strength, it does not corrode, the thickness can be from 35 mm to 50 mm. Used in the middle of 2 panels. They are required details for a complete PV module installation.



Product features

| | |
|--|---|
| Name | Mid Clamp |
| Material | High grade aluminum alloy, corrosion resistant Al 6005-T5 |
| Processing method | Extruded, Anodized, |
| Surface flatness | 0,1 |
| Color | Natural silver |
| Weight | 35,4 (g) |
| Tensile strength, yield (stretch 5 mm/min) | 8,35 (kN) |



- There are no oil stains, cracks, corrosion spots, delaminations, air bubbles on the surface of profiles.
- The cross section of the product does not have bends, twists, deformations or protrusions according to the requirements of the drawing

