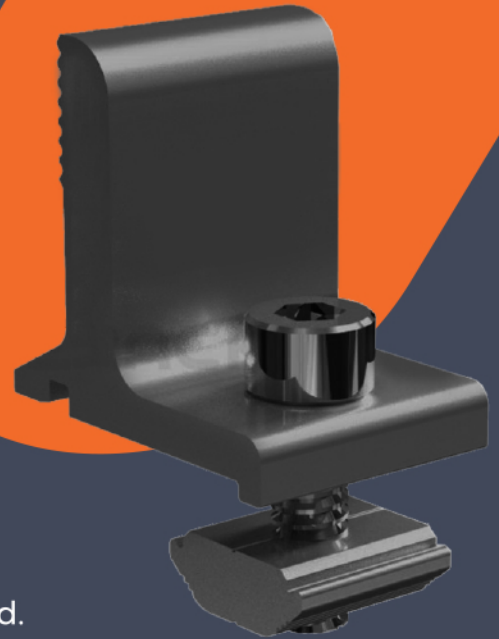


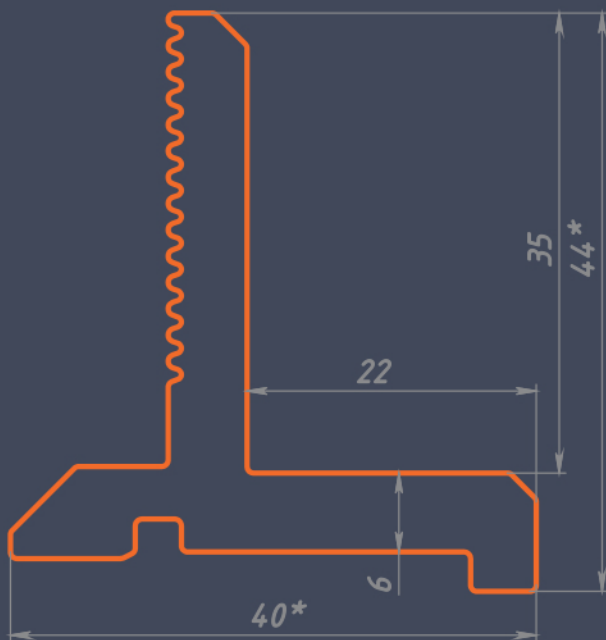
RAIL CLAMP RCL-01

This connecting or retaining clamp is used to maintain the lateral position of the rail, but allows the necessary movement. In a rail fastening system, a clamp secures the rail in position with a mechanical lock generally, rail clamps are always bolted.



Product features

Name	Clamp
Material	High grade aluminum alloy, corrosion resistant Al 6005-T5
Processing method	Extruded, anodized
Surface flatness	0,1
Color	Black
Weight	47 (g)



- There are no oil stains, cracks, corrosion spots, delaminations, air bubbles on the surface of profiles.
- The cross section of the product does not have bends, twists, deformations or protrusions according to the requirements of the drawing